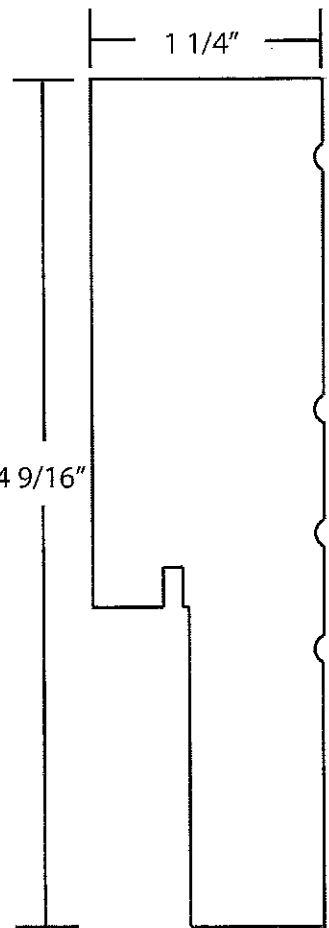
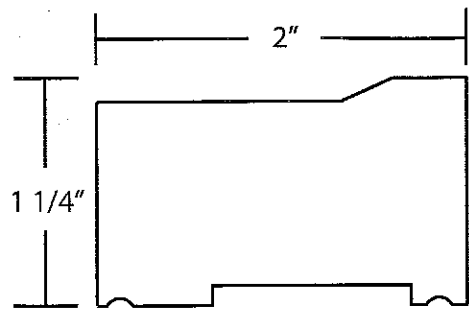


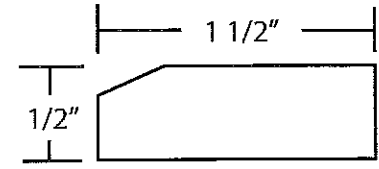
6 $\frac{9}{16}$ " Frame



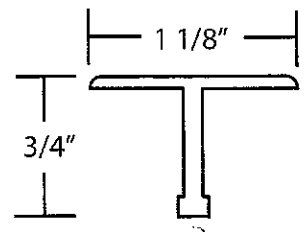
4 $\frac{9}{16}$ " Frame



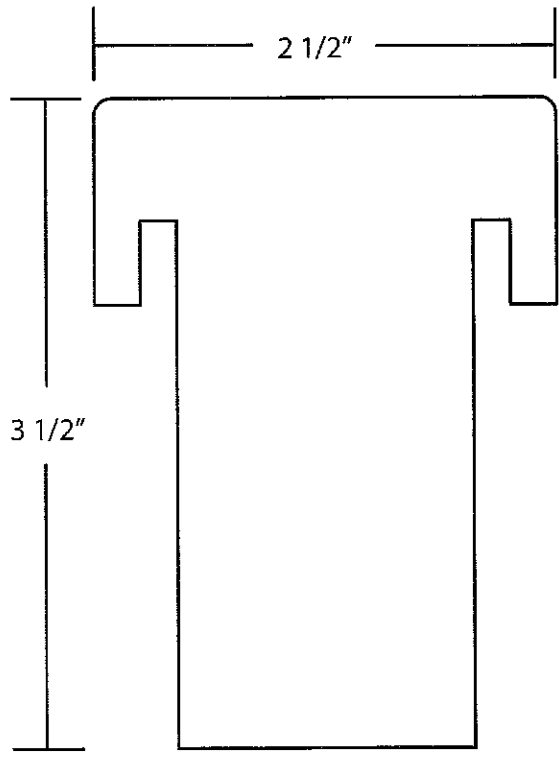
Brickmould



Panel Stop



T Mullion Cover



T Mullion