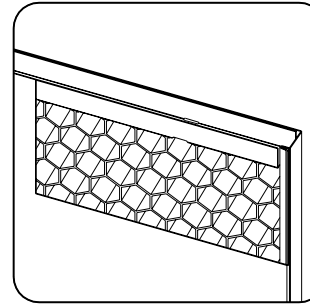
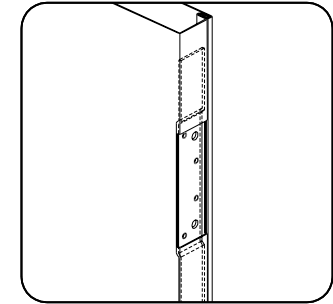


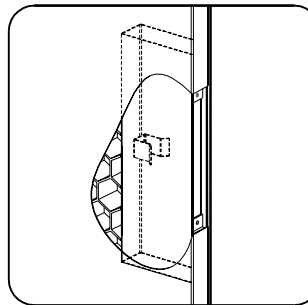
A. CLOSER REINFORCEMENT / TOP CHANNEL
14 ga. closer reinforcement,
fitted to 16 ga. inverted top channel



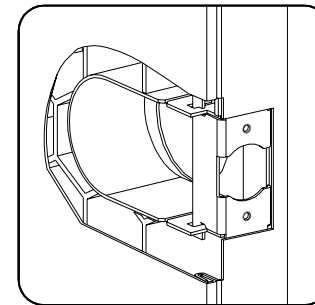
B. HONEYCOMB CORE



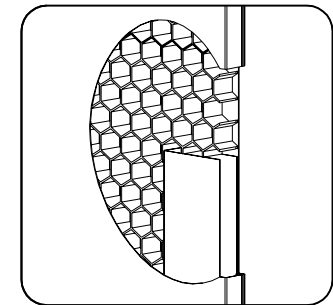
C. HINGE REINFORCEMENT
10 ga. hinge reinforcement for standard
weight 4.5" high template butt hinges



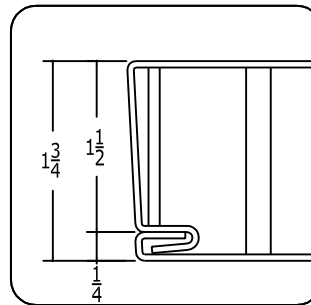
D. ANSI A115.1 #86
MORTISE LOCK REINFORCEMENT
14 ga. reinforcement with lock guide
D & T for #12-24 screw



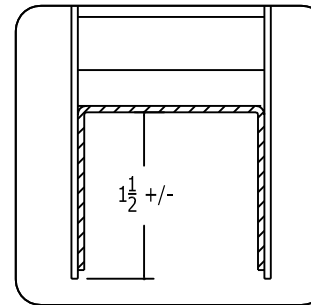
*D. ANSI A115.2 #161
LOCK REINFORCEMENT (SHOWN)
14 ga. reinforcement, 2-3/4" backset
D & T for #8-32 screw



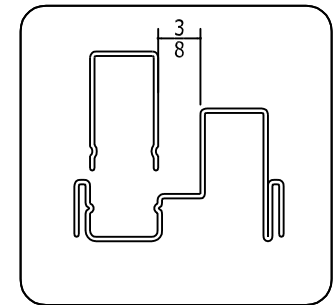
D. RIM PANIC REINFORCEMENT
14 ga. reinforcement
(includes reinforcement for surface
vertical rod or surface bolts)



E. BEVELLED EDGES
LOCK SEAM DESIGN
1/8" IN 2"



F. BOTTOM CHANNEL
16 gauge inverted bottom channel



G. WHI LISTED DOOR GLAZING KIT
(Snap in bead)

TECHNICAL SPECIFICATION:

Material:
A40 Galvanneal
20 Gauge Standard

Core:	STC Rating	R-Value
HONEYCOMB (STD.)	32	2.5
POLYSTYRENE	34	6.60
POLYURETHANE	34	11.10
TEMPERATURE RISE	35	3.25

Drawing No.

Date: 08/26/2003

LS20 SERIES DOOR

Drawn by: LX

PROJECT:

DAYBAR

SHEET:

○ OF ○