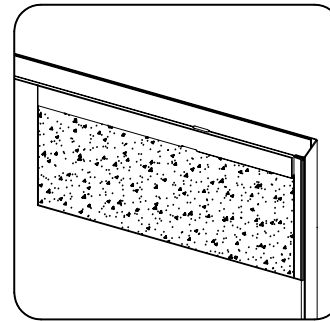
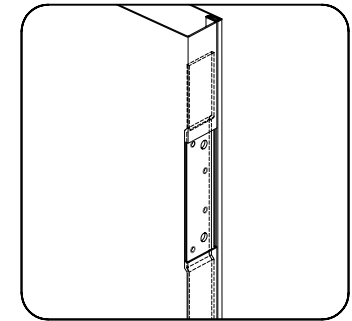


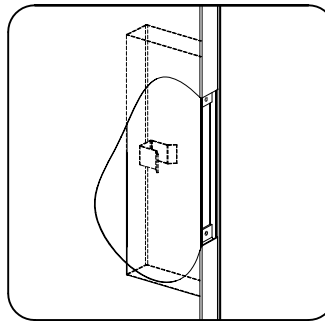
A. CLOSER REINFORCEMENT / TOP CHANNEL  
14 ga. closer reinforcement, fitted to 16 ga. inverted top channel



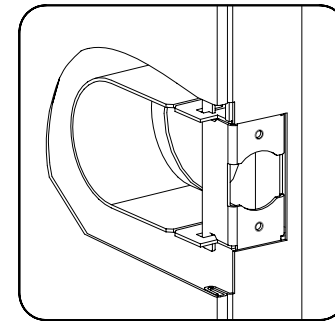
B. RIGID POLYSTYRENE CORE



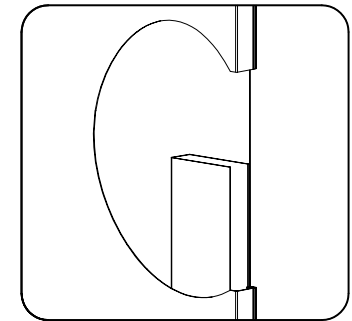
C. HINGE REINFORCEMENT  
7 ga. hinge reinforcement (universal) for standard or heavy weight 4.5" high template butt hinges



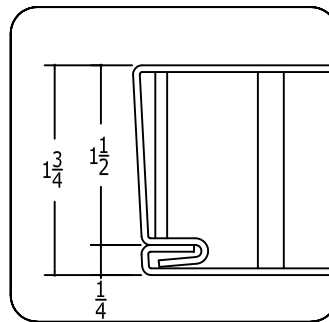
D. ANSI A115.1 #86 MORTISE LOCK REINFORCEMENT  
14 ga. reinforcement with lock guide D & T for #12-24 screw



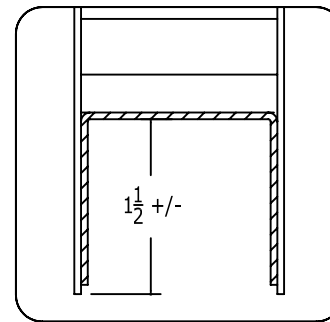
\*D. ANSI A115.2 #161 LOCK REINFORCEMENT (SHOWN)  
14 ga. reinforcement, 2-3/4" backset D & T for #8-32 screw



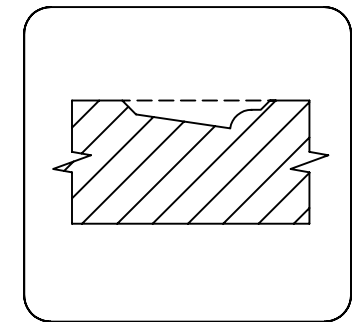
D. RIM PANIC REINFORCEMENT  
14 ga. reinforcement (includes reinforcement for surface vertical rod or surface bolts)



E. BEVELLED EDGE LOCK SEAM DESIGN  
1/8" in 2"



F. BOTTOM CHANNEL  
16 gauge inverted bottom channel



G. TYPICAL PROFILE THROUGH EMBOSSEMENT

TECHNICAL SPECIFICATION:

Material:

- A40 Galvanneal 18 Gauge (Standard)
- A40 Galvanneal 16 Gauge (Optional)

Core:

	STC Rating	R-Value
POLYSTYRENE(STD.)	34	6.60
TEMPERATURE RISE	35	3.25

- Door Heights: 6'8, 7'0
- Minimum Width: 2'6 (Std)
- Maximum Width: 3'6 (Std)

Drawing No.

Date: 05/05/2006

DECORATOR SERIES 6 PANEL DOOR (STANDARD)

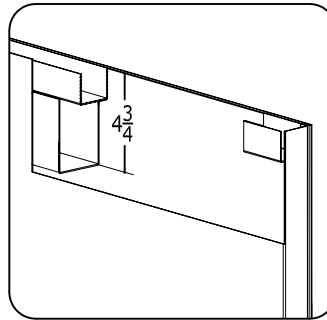
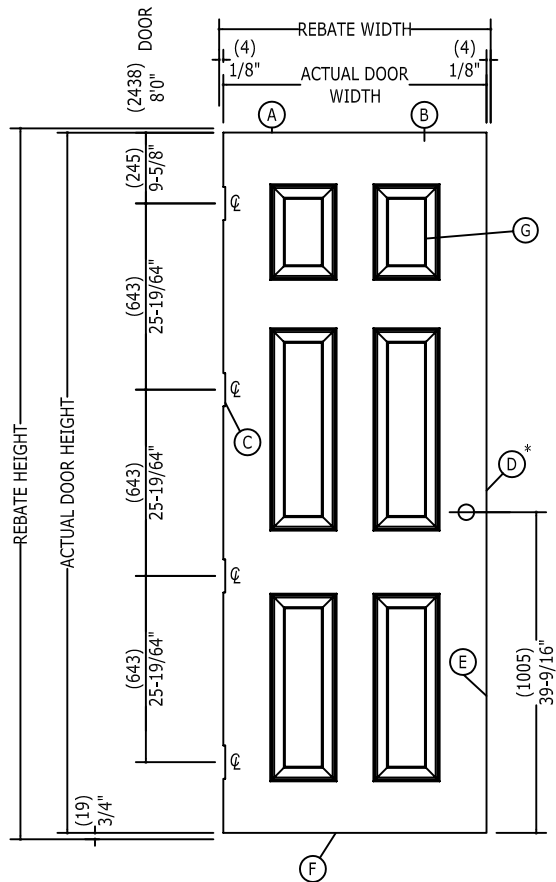
Drawn by: LX

PROJECT:

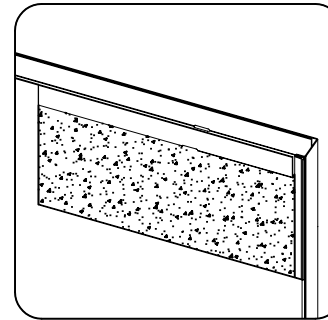
**DAYBAR**

SHEET:

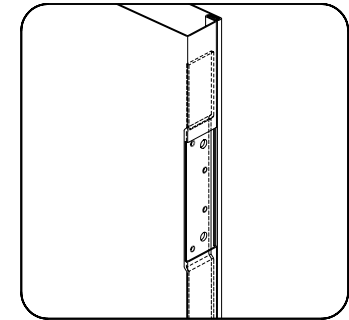
○ OF ○



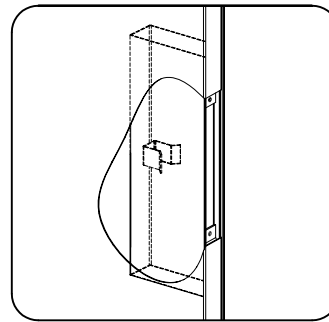
A. CLOSER REINFORCEMENT / TOP CHANNEL  
14 ga. closer reinforcement,  
fitted to 16 ga. inverted top channel



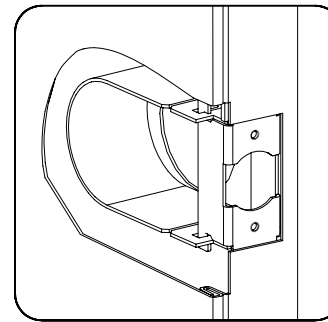
B. RIGID POLYSTYRENE CORE



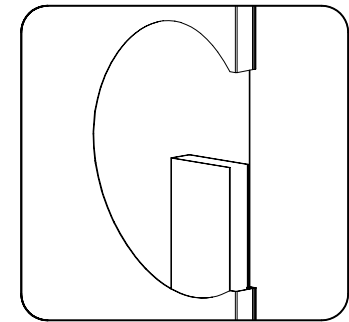
C. HINGE REINFORCEMENT  
7 ga. hinge reinforcement (universal) for standard  
or heavy weight 4.5" high template butt hinges



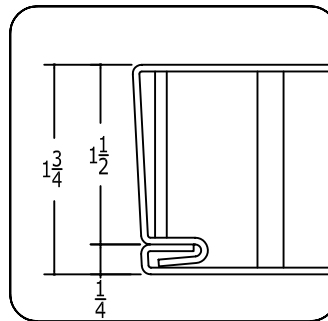
D. ANSI A115.1 #86  
MORTISE LOCK REINFORCEMENT  
14 ga. reinforcement with lock guide  
D & T for #12-24 screw



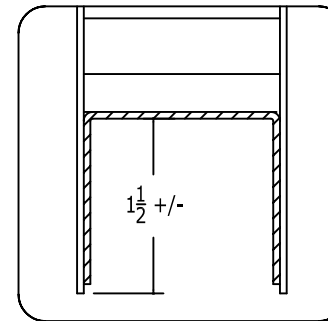
\*D. ANSI A115.2 #161  
LOCK REINFORCEMENT (SHOWN)  
14 ga. reinforcement, 2-3/4" backset  
D & T for #8-32 screw



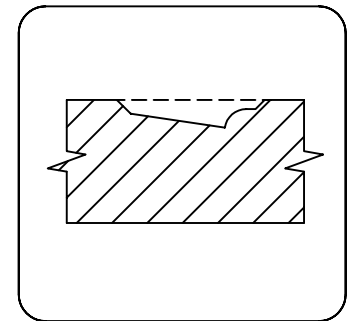
D. RIM PANIC REINFORCEMENT  
14 ga. reinforcement  
(includes reinforcement for surface  
vertical rod or surface bolts)



E. BEVELLED EDGE  
LOCK SEAM DESIGN  
1/8" in 2"



F. BOTTOM CHANNEL  
16 gauge inverted bottom channel



G. TYPICAL PROFILE  
THROUGH EMBOSMENT

TECHNICAL SPECIFICATION:

Material:

A40 Galvanneal 18 Gauge Standard

Core:	STC Rating	R-Value
POLYSTYRENE(STD.)	34	6.60
TEMPERATURE RISE	35	3.25

Door Heights: 7'8, 7'10, 8'0

Minimum Width: 2'8 (Nom)

Maximum Width: 3'0 (Nom)

Drawing No.

Date: 11/22/2004

DECORATOR SERIES 6 PANEL DOOR (OVERSIZED)

Drawn by: LX

PROJECT:

**DAYBAR**

SHEET:

○ OF ○